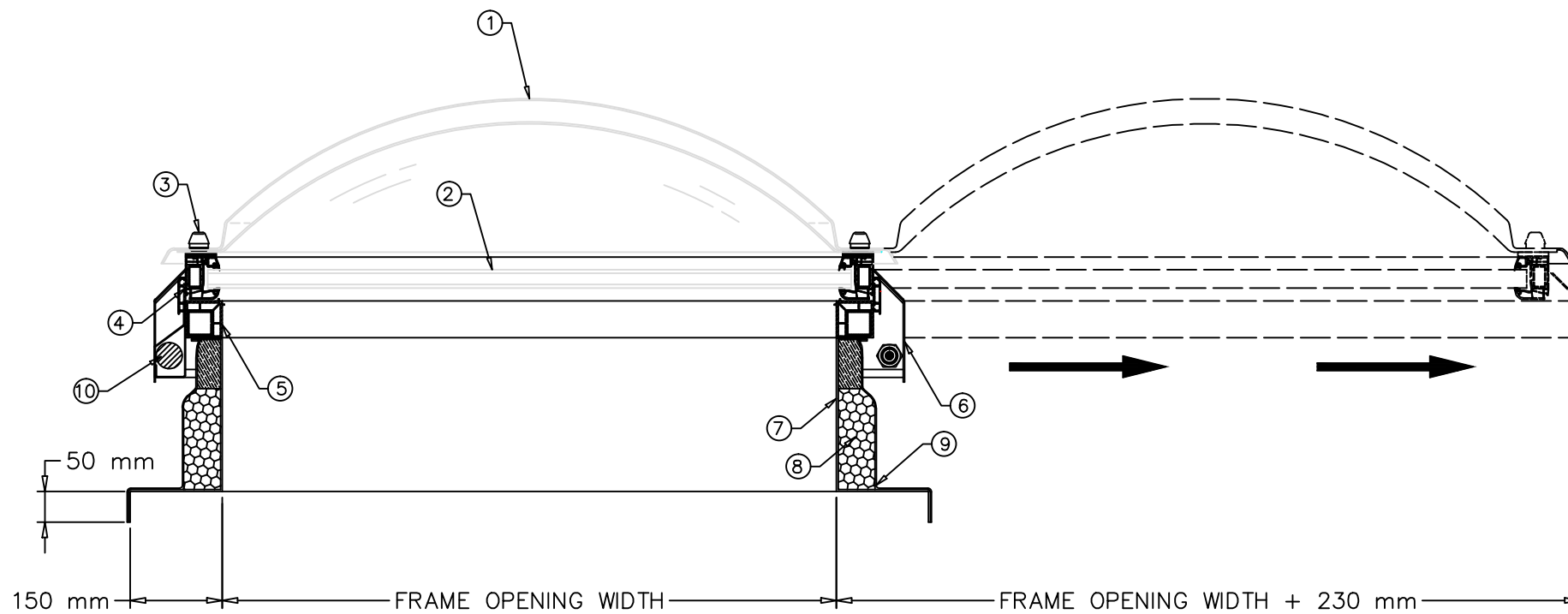


LONGITUDINAL - SECTION



CROSS - SECTION

THIS DRAWING IS THE PROPERTY OF THE BILCO COMPANY AND INCORPORATES INFORMATION WHICH IS PROPRIETARY. PUBLICATION AND/OR PUBLIC DISTRIBUTION IN WHOLE OR IN PART IS EXPRESSLY PROHIBITED WITHOUT THE PRIOR WRITTEN CONSENT OF THE BILCO COMPANY. THE INFORMATION CONTAINED HEREIN REMAINS THE PROPERTY OF THE BILCO COMPANY. ALL RIGHTS RESERVED.

SPECIFICATIONS

1. DOUBLE-LAYER POLYCARBONATE DOME
2. SECURITY GLASS
3. SCREW-CAPS FIXING SYSTEM
4. OPENABLE FRAME IN PVC REINFORCED W/METAL
5. FIXED FRAME IN PVC REINFORCED W/METAL
6. EXTERNAL METAL ROFILES
7. UPSTAND - INTERNAL LAYER IN POLYESTER REINFORCED W/FIBERGLASS
8. 60MM EXPANDED POLYURETHANE
9. UPSTAND - EXTERNAL LAYER IN POLYESTER REINFORCED W/FIBERGLASS
10. ACTUATOR - 24VDC

SHOP FINISH

POLYCARBONATE: CLEAR FINISH
 GLASS: CLEAR FINISH
 PVC PROFILES: WHITE
 METAL PROFILES: WHITE POWDER COATING
 UPSTAND: WHITE

NOTES:

1. ENSURE THERE ARE NO OBSTRUCTIONS ON THE TRAVEL OF THE OPENABLE FRAME.
2. THIS PRODUCT IS DESIGNED TO BE INSTALLED ON A FLAT ROOF.
3. FULL SPECIFICATIONS ARE AVAILABLE ON WEBSITE: www.bilco.com

CUSTOMER

P.O. NO.

JOB

SALES REP.

Bilco® Manufacturers of Doors for Special Services
 THE BILCO COMPANY
 New Haven, Connecticut 06505

**SINGLE LEAF SLIDING SMOKE VENT
 TYPE SKY-SS**

QTY	TYPE	SIZE WIDTH x LENGTH
<input type="text"/>	SKY-SS	_____ x _____

Web Site: www.bilco.com