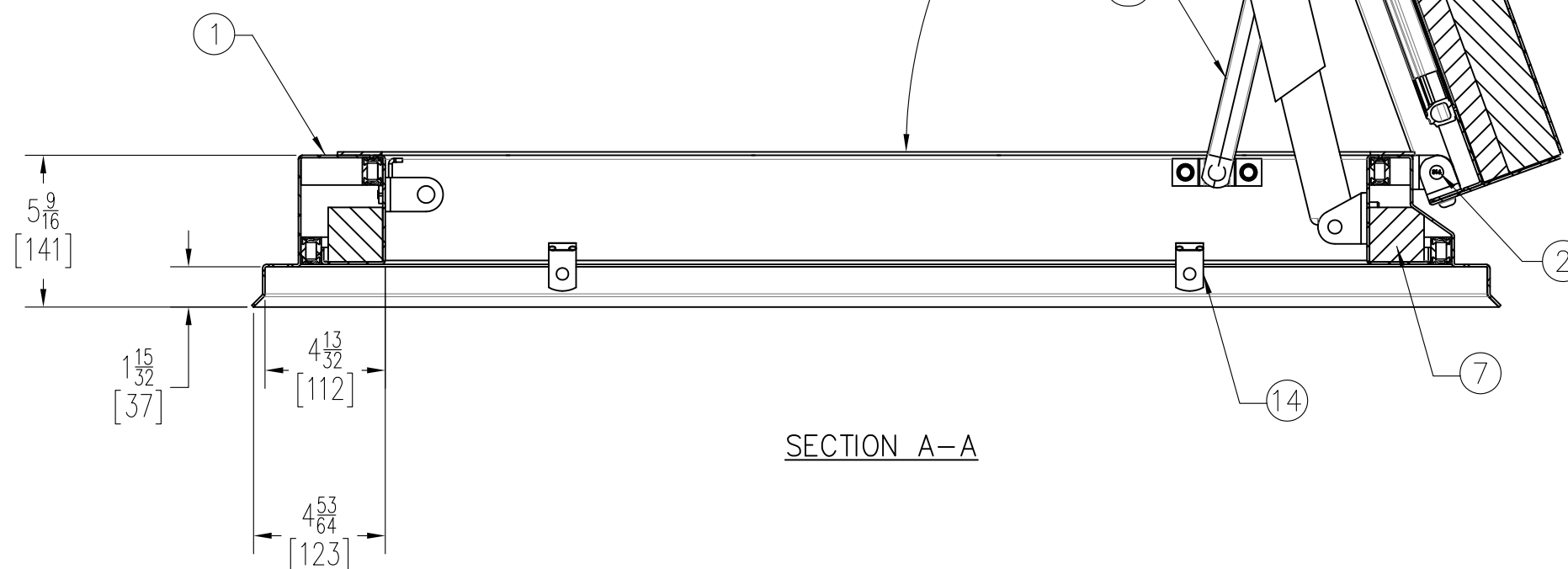


HANDLES TO BE INSTALLED ON SITE BY CUSTOMER



SECTION A-A

THIS DRAWING IS THE PROPERTY OF THE BILCO COMPANY AND INCORPORATES INFORMATION WHICH IS PROPRIETARY. PUBLICATION AND/OR PUBLIC DISTRIBUTION IN WHOLE OR IN PART IS EXPRESSLY PROHIBITED WITHOUT THE PRIOR WRITTEN CONSENT OF THE BILCO COMPANY. THE INFORMATION CONTAINED HEREIN REMAINS THE PROPERTY OF THE BILCO COMPANY. ALL RIGHTS RESERVED.

SYM.	REVISION	DATE	BY
A	NEW RELEASE		

SPECIFICATIONS

1. THERMALLY BROKEN CURB W/INTEGRAL CAPFLASHING 11 ALUMINUM (CORNERS FULLY WELDED)
2. PINTLE HINGE
3. GASKET (ALL AROUND COVER)
4. THERMALLY BROKEN COVER -11 ALUMINUM
5. COVER LINER 18 GAUGE ALUMINUM
6. LIFTING MECHANISM WITH REINFORCED COMPOSITE TUBES AND ELECTROCOATED COMPRESSION SPRINGS
7. 3" POLYISOCYANURATE INSULATION
8. SLAM LATCH
9. INSIDE AND OUTSIDE HANDLES W/PADLOCK HASPS
10. ARM GUIDE BRACKET
11. 3" POLYISOCYANURATE COVER INSULATION
12. HOLD OPEN ARM WITH NYLON ROLLER AND RED VINYL GRIP
13. NEOPRENE GASKET
14. ANCHOR TABS

THIS PRODUCT MAY BE INSTALLED ON EITHER A FLAT OR SLOPING ROOF. WHEN INSTALLED ON A SLOPE, THE HINGE SIDE MUST RUN WITH SLOPE EXCEEDS 30°, ADVISE FACTORY FOR MODIFICATION.

① UNIT(S) REQUIRED

SHOP FINISH:  
 COVER: MILL FINISH  
 FRAME: MILL FINISH  
 HARDWARE: ZINC PLATED & CHROMATE SEALED (UNLESS OTHERWISE SPECIFIED)

CUSTOMER: BILCO U K  
 PARK FARM BUSINESS CENTER  
 UK .. IP28 6TS

P.O. N°

JOB:

BUILDER:

ARCHITECT:

ENGINEER:

SALES REP: THE BILCO COMPANY

MANUFACTURERS OF DOORS FOR SPECIAL SERVICES  
**Bilco**® THE BILCO COMPANY  
 NEW HAVEN, CONNECTICUT 06505

SINGLE LEAF ROOF SCUTTLE  
 TYPE S-50VMTB SIZE 3'-0" X 2'-6"  
 [914mm X 762mm]

DRAWN BY	DATE	DRAWING NO.	REV.
JLD	4-1-16	SS-15786	A
	SCALE DO NOT SCALE		