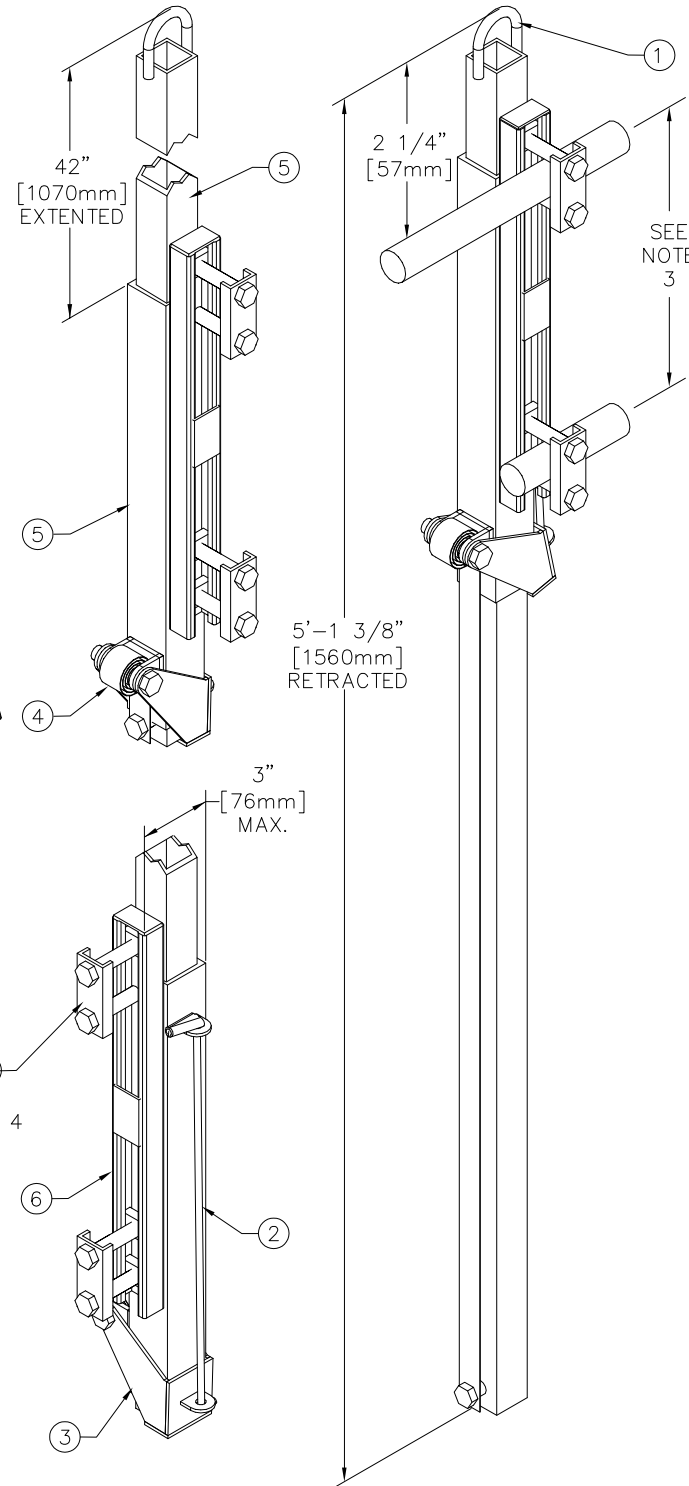


ISOMETRIC VIEW



SPECIFICATIONS

1. Pull up loop
2. Release rod w/ vinyl lift handle
3. Lock up bracket
4. Balancing spring
5. Square tubing
6. Adjustable mounting channel
7. Clamp bracket
8. Stainless steel mounting bolts (3/8-16 x 2")

NOTES:

1. The Bilco LadderUp® safety post is furnished completely assembled ready to mount on rear of ladder with clamp brackets on climbing side. Ladder must be structurally sound and securely anchored.
2. On hollow round rung ladders insert solid round bar (same length as rung) into the top two rungs to provide additional strength and prevent crushing of the rung when the LadderUp® is fastened.
3. Adjustable mounting fits ladders with rung spacing up to about 14" [355mm] center to center.
4. Clamp bracket may be reversed to accommodate rung sizes of 3/4" [19mm] to 1 1/4" [32mm] with standard 2" [51mm] bolts furnished. Larger rungs will require longer bolts.

*ROOF SCUTTLE NOT INCLUDED*

*Customer:*

*P.O. N°*

*Job:*

*Sales Rep:*



**BILCO**  
ROOF ACCESS

Bilco UK Ltd, Pavilion 7  
Fornham Business Court  
Hall Farm, Fornham St. Martin  
Bury St. Edmunds, Suffolk, IP31 1SL

**LADDER UP SAFETY POST**

QTY	TYPE	MATERIAL/FINISH
<input type="checkbox"/>	LU-1	STEEL/BLACK ENAMEL
<input type="checkbox"/>	LU-2	STEEL/HOT DIPPED GALV.
<input type="checkbox"/>	LU-3	STAINLESS STEEL
<input type="checkbox"/>	LU-4	ALUMINUM/MILL FINISH

THIS DRAWING IS THE PROPERTY OF THE BILCO COMPANY AND INCORPORATES INFORMATION WHICH IS PROPRIETARY. PUBLICATION AND/OR PUBLIC DISTRIBUTION IN WHOLE OR IN PART IS EXPRESSLY PROHIBITED WITHOUT THE PRIOR WRITTEN CONSENT OF THE BILCO COMPANY. THE INFORMATION CONTAINED HEREIN REMAINS THE PROPERTY OF THE BILCO COMPANY. ALL RIGHTS RESERVED.