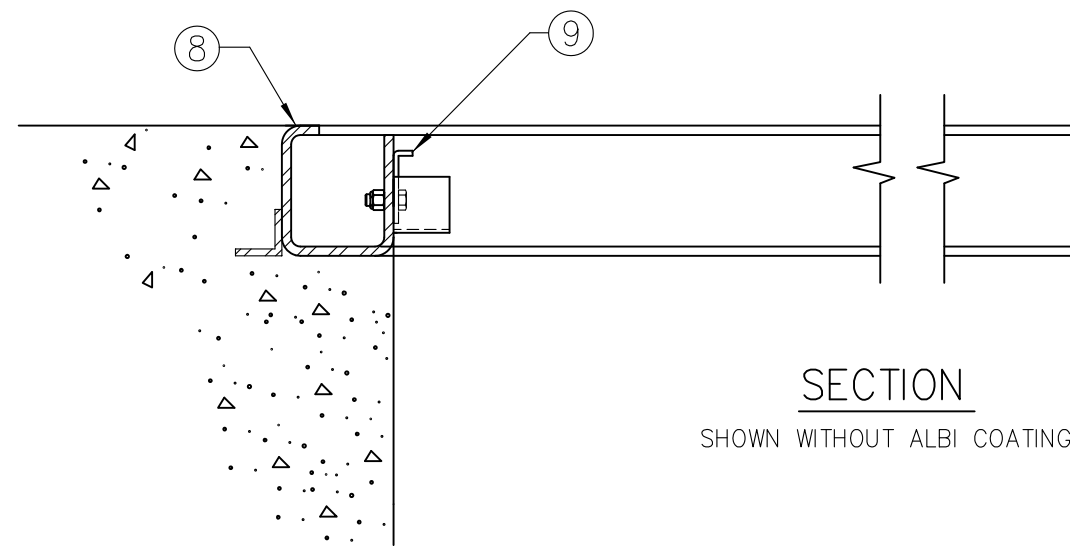
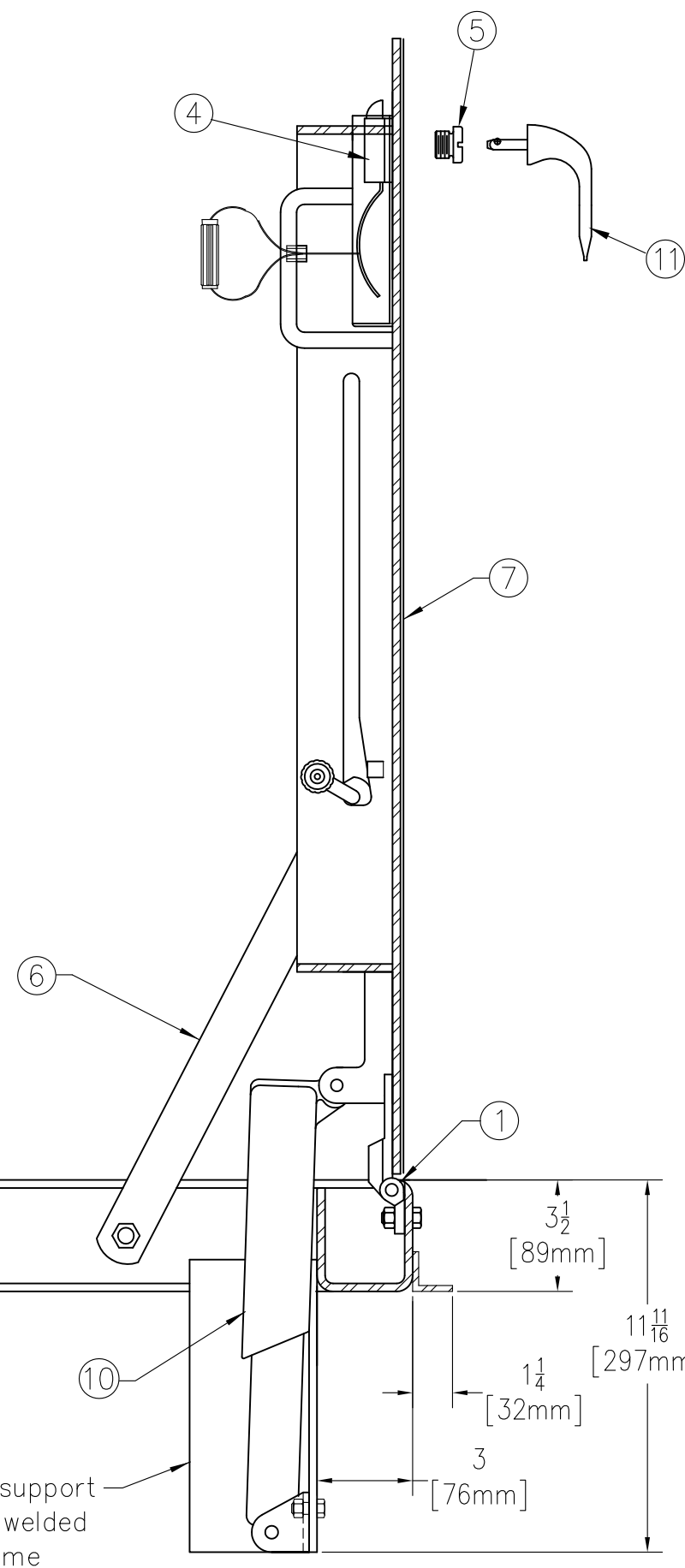


TYPICAL SECTION OF ALBI CLAD 900 INTUMESCENT MASTIC FIRE PROOF COATING



NOTES:
 CERTIFIED TO B5476 BY CHILTON FIRE INTERNATIONAL
 FOR DRY INTERIOR INSTALLATION ONLY. UNIT MUST BE PROTECTED FROM MOISTURE PRIOR TO INSTALLATION IF EXPOSURE TO EXTERIOR CONDITIONS, MOISTURE AND/OR HIGH HUMIDITY IS ANTICIPATED, CONSULT FACTORY

THIS DRAWING IS THE PROPERTY OF THE BILCO COMPANY AND INCORPORATES INFORMATION WHICH IS PROPRIETARY. PUBLICATION AND/OR PUBLIC DISTRIBUTION IN WHOLE OR IN PART IS EXPRESSLY PROHIBITED WITHOUT THE PRIOR WRITTEN CONSENT OF THE BILCO COMPANY. THE INFORMATION CONTAINED HEREIN REMAINS THE PROPERTY OF THE BILCO COMPANY. ALL RIGHTS RESERVED.

SPECIFICATIONS

1. Bilco heavy duty forged brass hinges with stainless steel pins
2. Guide arm (if req'd)
- 3.
4. Standard slam lock
5. Removable cover plug
6. Bilco automatic hold open arm w/ red vinyl grip
7. 1/4" steel diamond pattern plate cover
8. Bilco 1/4" steel channel frame with welded 1 1/4" x 1 1/4" anchor flange
9. Stainless steel lock strike
10. Lifting mechanism with reinforced composite tubes and electrocoated compression springs
11. Removable square key wrench

SHOP FINISH:
 STEEL: RED OXIDE PRIMER
 HARDWARE: ZINC PLATED & CHROMATE SEALED
 (unless otherwise specified)

REINFORCED FOR 300 Lbs. PER Sq. Ft.
 (1464 kg. PER Sq. METER) LIVE LOAD

INSTALLER NOTES:

- A. Use caution. Cover is spring loaded. Do not remove safety shipping bolt until unit is to be installed and in normal horizontal operating position.
- B. Before anchoring in place open and close door. Check to see that the door in the closed position rests on the frame all around. If not, shim under the frame at the proper corner.
- C. See installation procedure shipped with door.

Customer:

P.O. N°

Job:

Sales Rep:

Manufacturers of Doors for Special Services
Bilco® THE BILCO COMPANY
 New Haven, Connecticut 06505

**SINGLE LEAF ACCESS DOOR
 TYPE JFR - INTERIOR
 SIZE**

QTY	TYPE	WIDTH x LENGTH
<input type="checkbox"/>	JFR-1	2'-0" x 2'-0" [610mm] x [610mm]
<input type="checkbox"/>	JFR-2	2'-6" x 2'-6" [762mm] x [762mm]
<input type="checkbox"/>	JFR-3	3'-0" x 2'-6" [914mm] x [762mm]
<input type="checkbox"/>	JFR-4	3'-0" x 3'-0" [914mm] x [914mm]
<input type="checkbox"/>	JFR-5	3'-6" x 3'-6" [1065mm] x [1065mm]