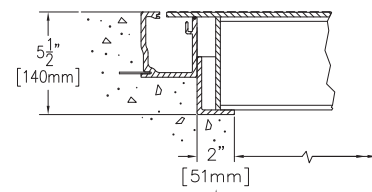
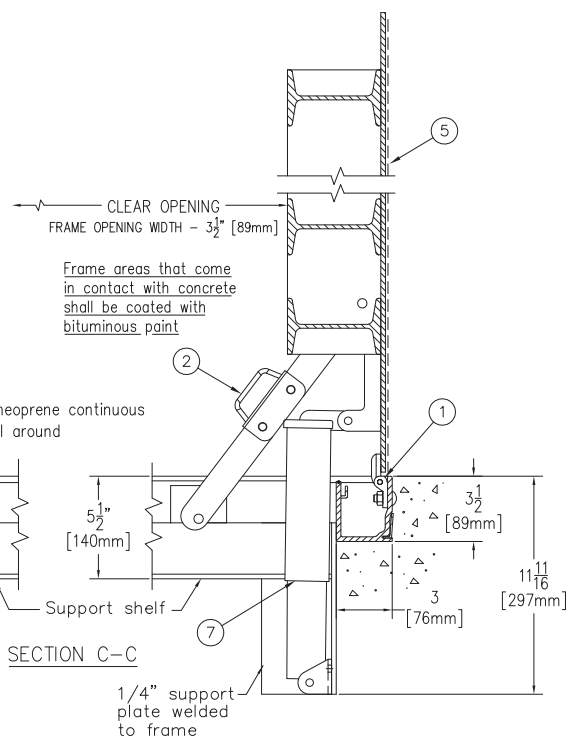
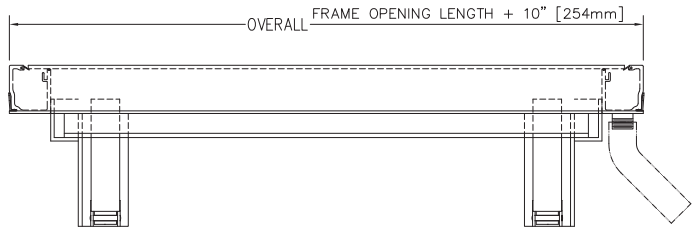


NOTE:
DESIGNED TO WITHSTAND H-20 WHEEL
LOADINGS SUITABLE FOR USE IN OFF-
STREET LOCATIONS WHERE NOT SUBJECTED
TO HIGH DENSITY TRAFFIC



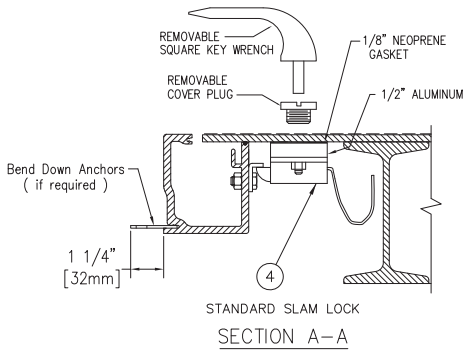
CHANNEL SUPPORT SHELF MUST
BE SUPPORTED BY CONCRETE OR
STEEL TO CARRY H-20 LOADING

SECTION B-B



Frame areas that come
in contact with concrete
shall be coated with
bituminous paint

1/4\"/>



SECTION A-A

THIS DRAWING IS THE PROPERTY OF THE BILCO COMPANY
AND INCORPORATES INFORMATION WHICH IS PROPRIETARY.
PUBLICATION AND/OR PUBLIC DISTRIBUTION IN WHOLE OR
IN PART IS EXPRESSLY PROHIBITED WITHOUT THE PRIOR
WRITTEN CONSENT OF THE BILCO COMPANY. THE
INFORMATION CONTAINED HEREIN REMAINS THE PROPERTY
OF THE BILCO COMPANY. ALL RIGHTS RESERVED.

SPECIFICATIONS

1. Bilco heavy duty forged stainless steel hinges with stainless steel pins
2. Bilco automatic hold open arm
3. 1-1/2" drain coupling
4. Standard slam lock
5. 1/4" aluminum diamond pattern plate cover
6. Bilco 1/4" aluminum channel frame with recessed anchors
7. Stainless steel spring lifting mechanism

SHOP FINISH:
ALUMINUM: MILL FINISH
HARDWARE: TYPE 316 STAINLESS STEEL
(unless otherwise specified)

REINFORCED FOR H20 LOADING

INSTALLER NOTES:

- A. Use caution. Cover is spring loaded. Do not remove safety shipping bolt until unit is to be installed and in normal horizontal operating position.
- B. Be sure unit is set on slight pitch toward drain corner.
- C. Before anchoring in place open and close door. Check to see that the door in the closed position rests on the frame all around. If not, shim under the frame at the proper corner.
- D. Do not reduce 1 1/2" drain pipe to dry well or disposal system.
- E. Bend down anchors if required

Customer:

P.O. N°

Job:

Sales Rep:



Bilco UK Ltd, Pavilion 7
Fornham Business Court
Hall Farm, Fornham St. Martin
Bury St. Edmunds, Suffolk, IP31 1SL

**SINGLE LEAF ACCESS DOOR
TYPE J-ALH20 - EXTERIOR**

| QTY | TYPE | SIZE | |
|--------------------------|----------|----------------|----------------|
| | | WIDTH | LENGTH |
| <input type="checkbox"/> | J-1ALH20 | 2'-0" [610mm] | 2'-0" [610mm] |
| <input type="checkbox"/> | J-2ALH20 | 2'-6" [762mm] | 2'-6" [762mm] |
| <input type="checkbox"/> | J-3ALH20 | 3'-0" [914mm] | 2'-6" [762mm] |
| <input type="checkbox"/> | J-4ALH20 | 3'-0" [914mm] | 3'-0" [914mm] |
| <input type="checkbox"/> | J-5ALH20 | 3'-6" [1065mm] | 3'-6" [1065mm] |