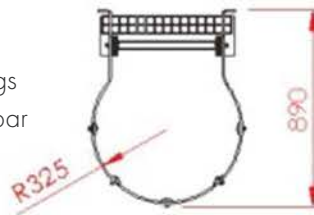


» BL-A-WH: ALUMINIUM VERTICAL LADDER WITH SAFETY CAGE

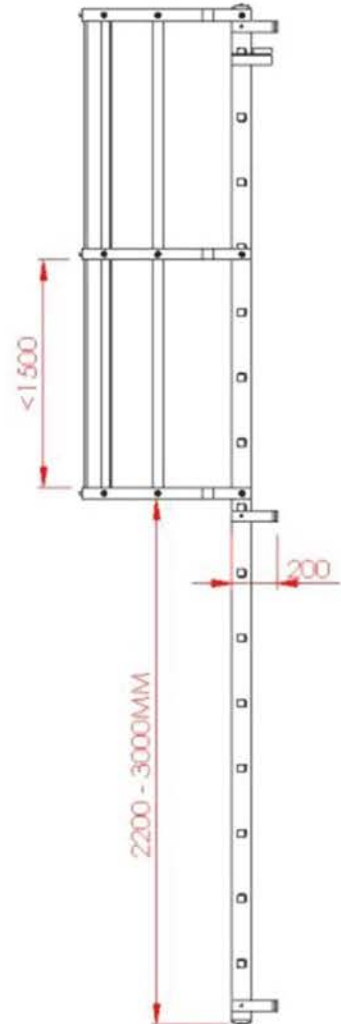
Ladder Specifications

- Stiles: Alloy Class 1 - 73 x 25mm
- Rungs: Class 1 heavy duty square rungs
- Stand-off brackets: 50 x 10mm alloy bar
- Fixings: Stainless steel
- Finish: All alloy in mill finish
- Overall ladder width: 488mm
- Clear stand-off distance from wall: 127mm



Cage Specifications

- Cages above 2200 - 3000mm
- Straps: 50 x 10mm flat bar
- Fixings: Dome head bolts
- 5 No straps as BS4211: 2005 +A1 2008



Project Title:	Additional Comments:
Dimension 'A':	
Customer Name:	
Customer Number:	
Date:	
I confirm the above information is correct and that our order shall be manufactured to these sizes:	Signed:



Bilco UK Ltd, Pavilion 7, Fornham Business Court, Hall Farm
 Fornham St. Martin, Bury St. Edmunds, Suffolk, IP31 1SL
+44 (0)1284 701 696 bilcouk@bilco.com www.bilcouk.co.uk

Bilco UK is part of the Access 360 portfolio of Tyman UK and Ireland