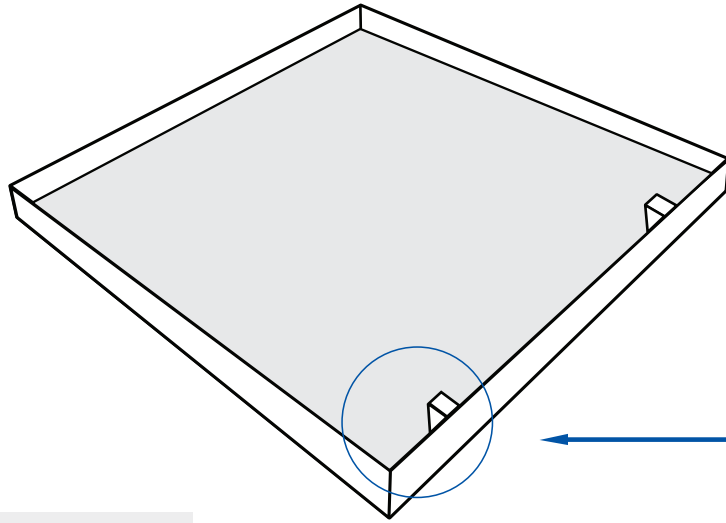




HSE 75 ALUMINIUM Installation Instructions

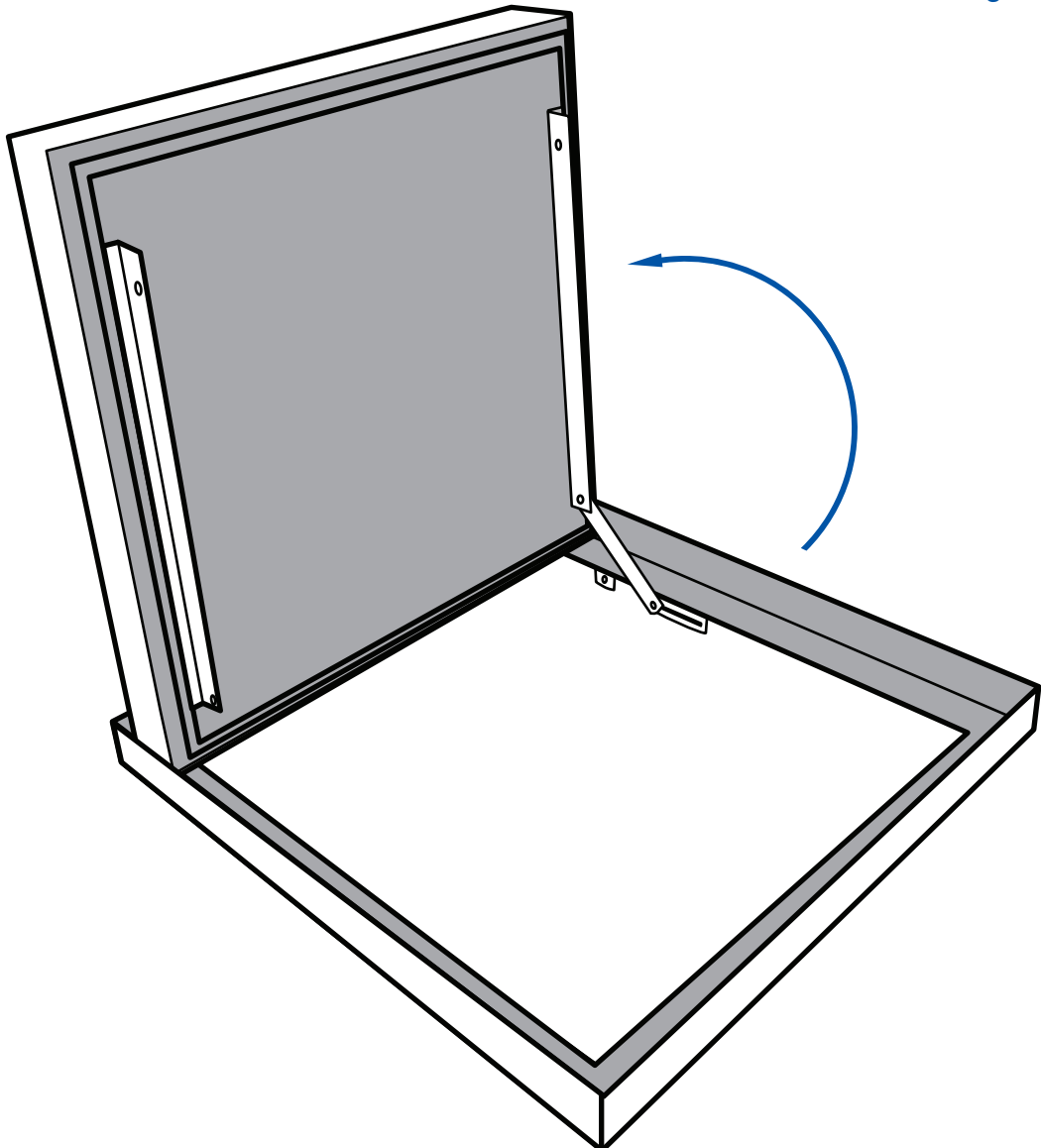
Howe Green Limited
Marsh Lane, Ware,
Hertfordshire SG12 9QQ

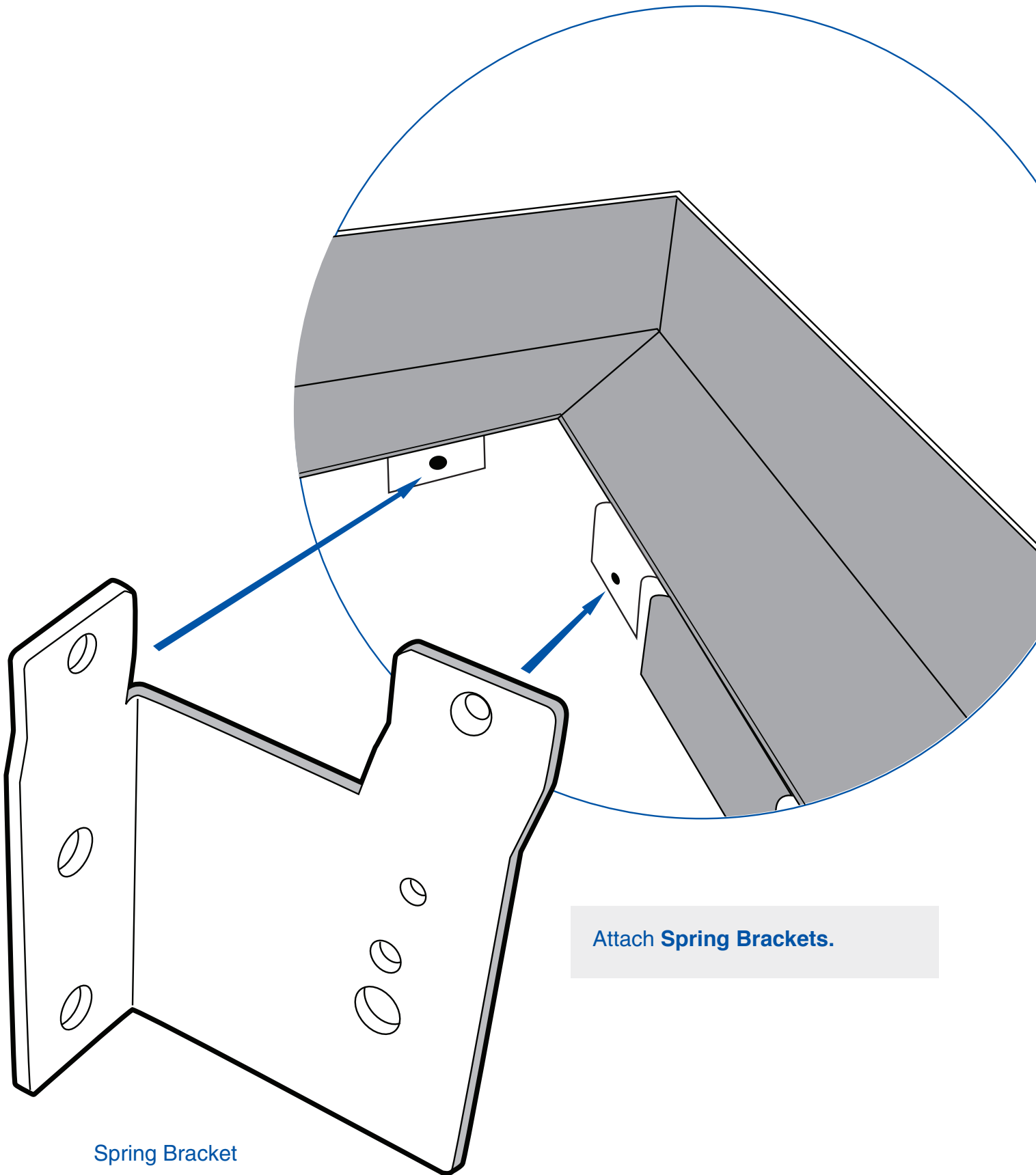
Tel: +44 (0) 1920 463230
Fax: +44 (0) 1920 463231
Email: info@howegreen.co.uk
Web: www.howegreen.co.uk



Remove cover securing bolt and open cover using **Lifting Key**.

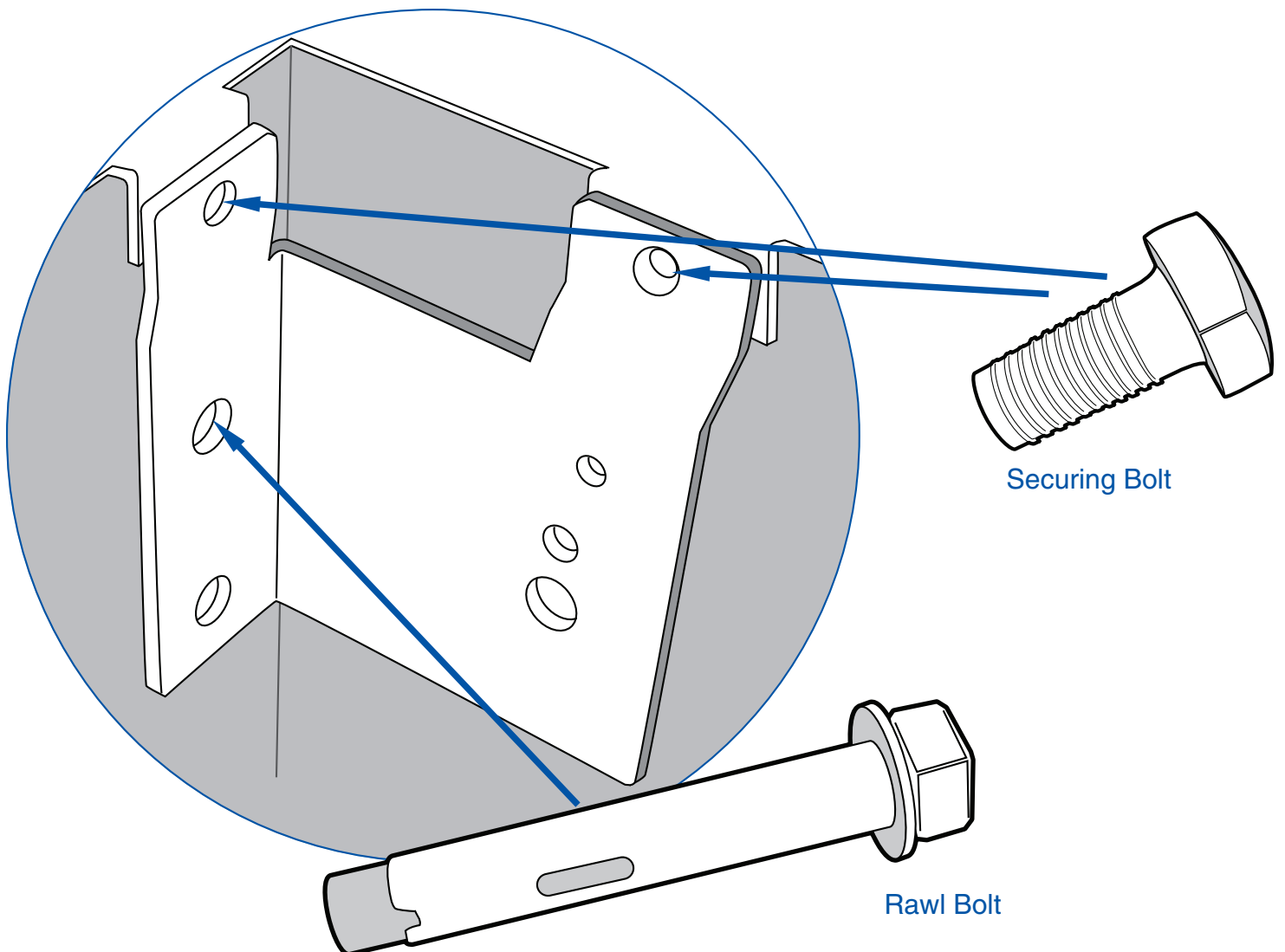
Lifting Key





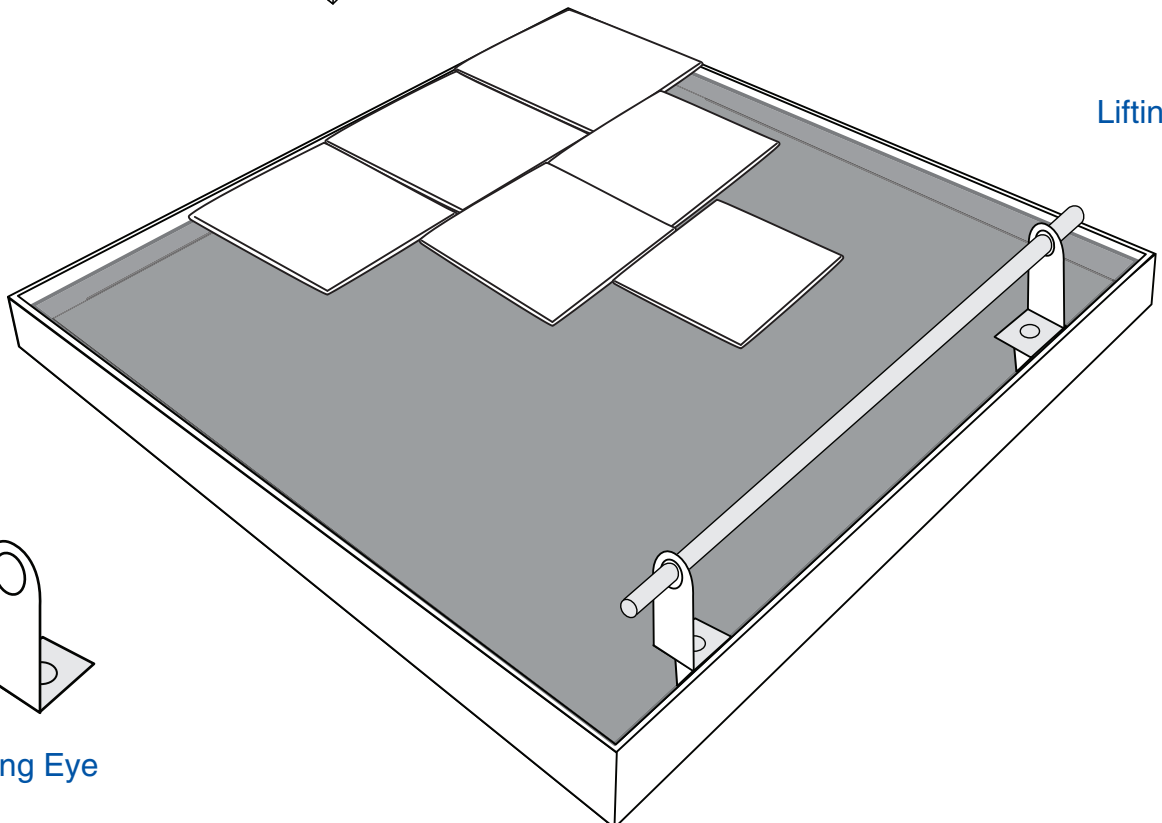
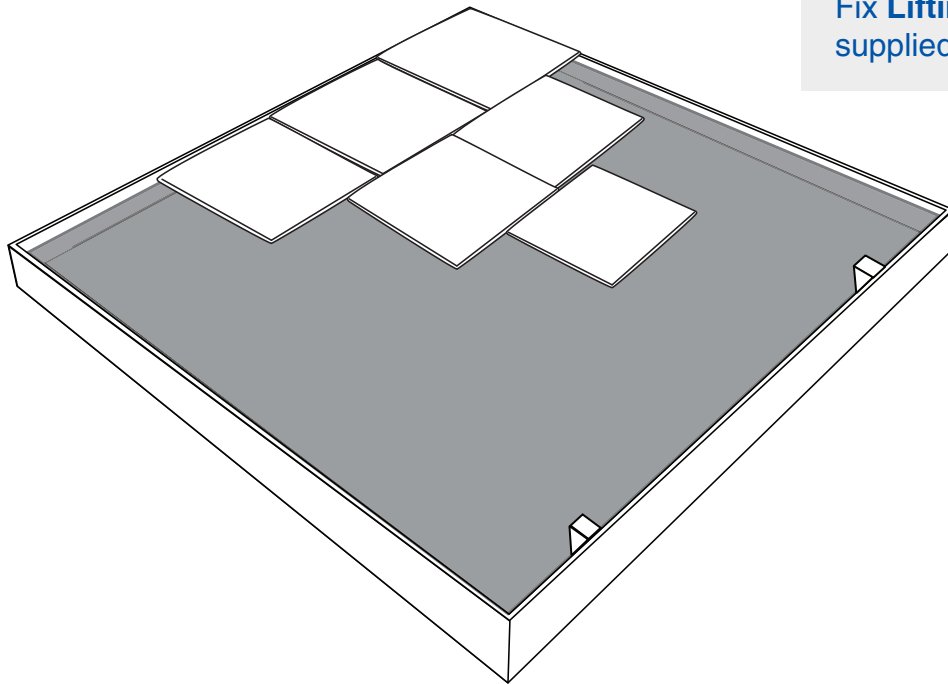
Attach **Spring Brackets**.

Position outer frame over pit, bedding on sand and cement, ensuring spring brackets are in contact with the vertical pit wall.

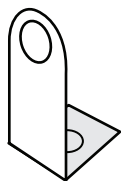


Drill holes in pit walls. Affix bracket against wall with **Rawl Bolt** and tighten **Securing Bolts**.

Close cover placing spacers between the cover and outer frame prior to filling and tiling. Fill cover and tile surrounding area, ensuring that the infill has the equivalent strength of 40MPa concrete, when fully cured. Fix **Lifting Eyes** to cover, using bolts supplied. Open cover with **Lifting Bar**.



Lifting Bar



Lifting Eye

Open cover using **Lifting Bar**,
attach **Gas Springs** as marked
on spring.

