

THIS DRAWING IS THE PROPERTY OF THE BILCO COMPANY AND INCORPORATES INFORMATION WHICH IS PROPRIETARY. PUBLICATION AND/OR PUBLIC DISTRIBUTION IN WHOLE OR IN PART IS EXPRESSLY PROHIBITED WITHOUT THE PRIOR WRITTEN CONSENT OF THE BILCO COMPANY. THE INFORMATION CONTAINED HEREIN REMAINS THE PROPERTY OF THE BILCO COMPANY. ALL RIGHTS RESERVED.

SPECIFICATIONS

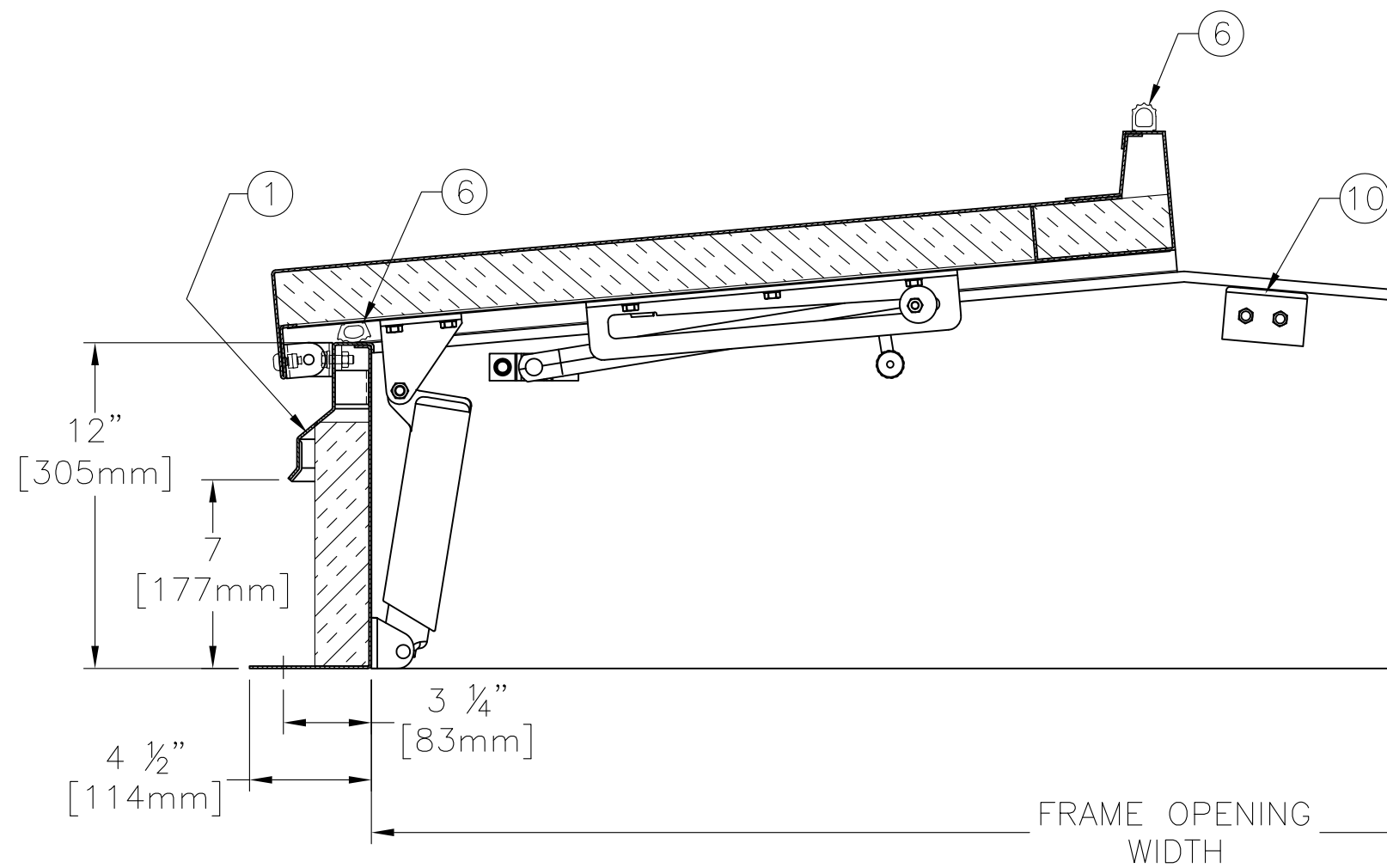
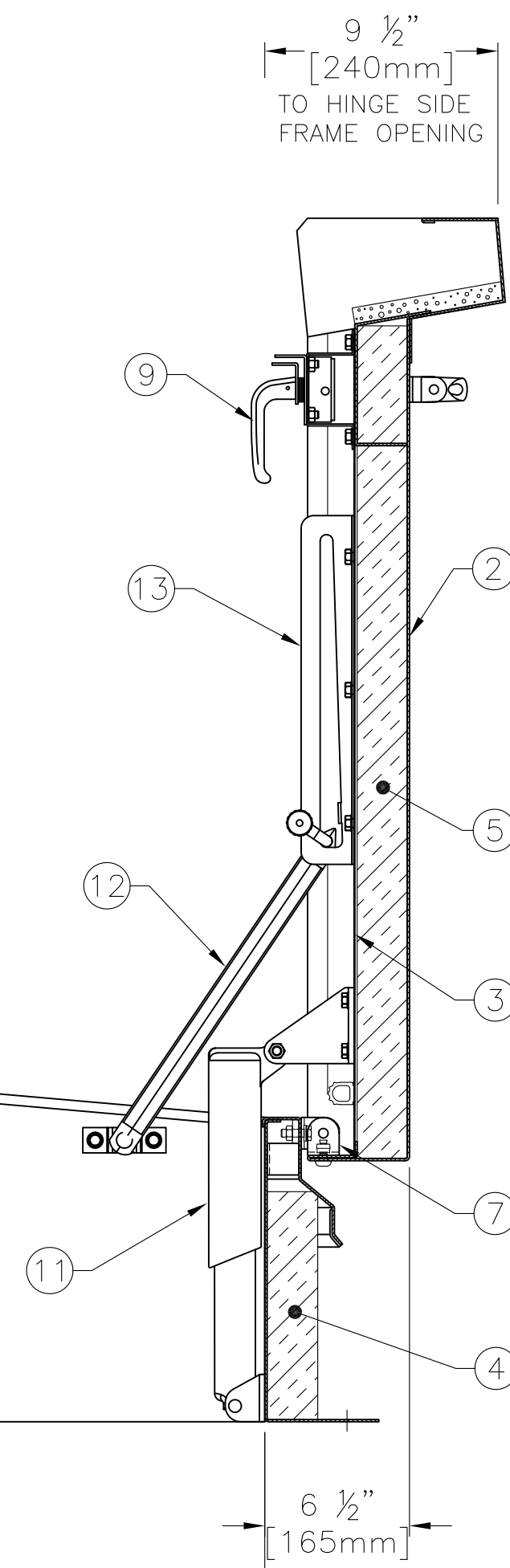
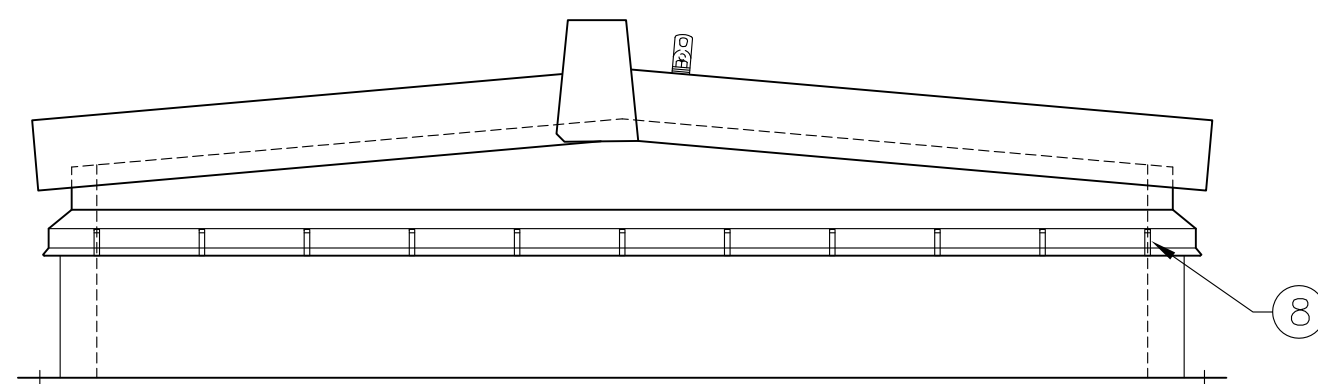
1. CURB W/INTEGRAL CAPFLASHING- 11 GA. ALUMINIUM (CORNERS FULLY WELDED)
2. COVER - 11 GA. ALUMINIUM
3. COVER LINER - 18 GA. ALUMINIUM
4. 2" [50MM] POLYISOCYANURATE CURB INSULATION
5. 2" [50MM] POLYISOCYANURATE COVER INSULATION
6. EPDM GASKET
7. PINTLE HINGE - STAINLESS STEEL TYPE 316
8. BILCLIP® FLASHING SYSTEM
9. SLAM LATCH (2 POINT) WITH INSIDE AND OUTSIDE HANDLES W/ PADLOCK HASPS
10. LOCK STRIKE
11. LIFTING MECHANISM WITH REINFORCED COMPOSITE TUBES AND COMPRESSION SPRINGS
12. AUTOMATIC HOLD OPEN ARM W/ RED VINYL GRIP AND COVER RELEASE
13. ARM GUIDE BRACKET

SHOP FINISH

ALUMINIUM: MILL FINISH
 HARDWARE: CORROSION RESISTANT (UNLESS OTHERWISE SPECIFIED)

NOTES:

1. THIS PRODUCT MAY BE INSTALLED ON EITHER A FLAT OR SLOPING ROOF. WHEN INSTALLED ON A SLOPE, THE HINGE SIDE MUST RUN PARALLEL WITH THE SLOPE. IF SLOPE EXCEEDS 30°, ADVISE FACTORY FOR MODIFICATION.
2. FULL SPECIFICATIONS ARE AVAILABLE ON WEBSITE: www.bilco.com



SECTION

CUSTOMER

P.O. NO.

JOB

SALES REP.

Bilco® Manufacturers of Doors for Special Services
 THE BILCO COMPANY
 New Haven, Connecticut 06505

**DOUBLE LEAF ROOF ACCESS HATCH
 TYPE D-50T**

QTY	TYPE	SIZE WIDTH x LENGTH
	D-50T	x HINGE SIDE

WEB SITE: www.bilco.com