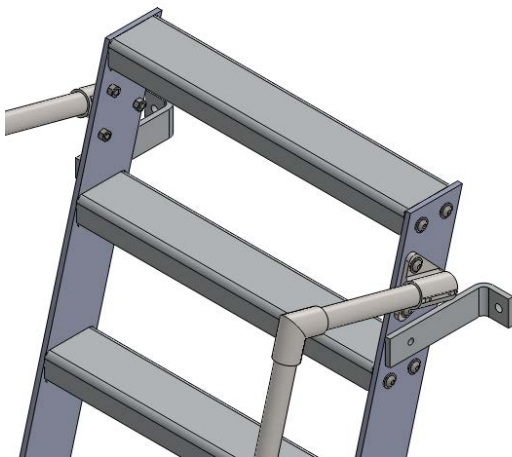


# COMPANIONWAY LADDERS: FITTING INSTRUCTIONS

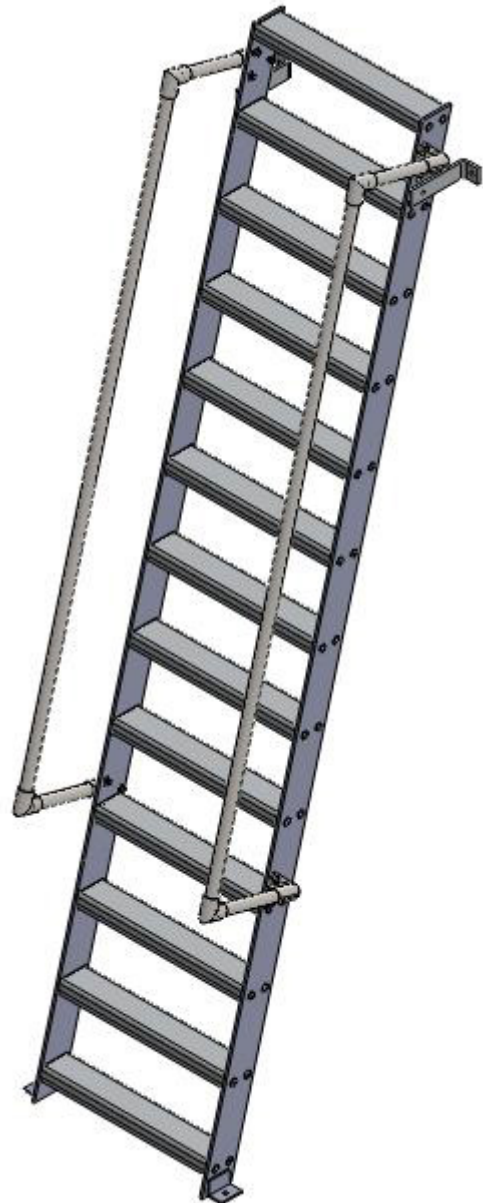
BRITISH STANDARDS: BS4211:2005 + A1 2008 BS5395: PART 3



## Upper Stand-off Bracket

We would recommend fitting the upper stand off bracket in the space reserved between the infill platform and the lower fixing of the flared post, if this is not possible the top bracket should be fixed with 500mm of the top of the ladder.

**THE INFILL STEP (AND TOP RUNG) MUST BE LEVEL WITH THE STEP OFF POINT**



- 1. Upper Stand-off Bracket:** Must be within 500mm of the top of the ladder
- 2. Lower Stand-off Brackets:** Where possible we would recommend fixing the lower brackets into the floor, if this is not possible the brackets should be fixed within 300mm of the bottom of the ladder
- 3. Fixing Structure:** The structure to which the ladder is fixed should be suitable to take the loads imposed by the ladder and future users
- 4. Fixings:** We would recommend using fixings with a minimum diameter of 10mm, however the choice of fixed should be made by a competent person and may alter to suit the fixing structure

**CARE SHOULD BE TAKEN TO ENSURE NO FIXING BRACKETS CLASH WITH EITHER A TREAD OR ANY HANDRAIL COMPONENTS**

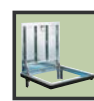
Bilco products are designed and fabricated to consistently high quality standards to ensure complete customer satisfaction.



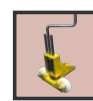
ROOF ACCESS



SMOKE VENTS



FLOOR ACCESS DOORS



SAFETY PRODUCTS



LADDERS



Bilco UK Ltd, Pavilion 7, Fornham Business Court, Hall Farm  
Fornham St. Martin, Bury St. Edmunds, Suffolk, IP31 1SL

+44 (0)1284 701 696 [bilcouk@bilco.com](mailto:bilcouk@bilco.com) [www.bilcouk.co.uk](http://www.bilcouk.co.uk)

Bilco UK is part of the Access 360 portfolio of Tyman UK and Ireland

**In additional to all the points made in this document it is imperative that the following rules are followed at all times:**

#### **SAFE INSTALLATION**

- Ladder must only be installed by trained, competent people
- All installations should be carried out following detailed, site specific method statements and risk assessments
- Ladders should be installed using suitable, safe access equipment specific to the environment where the ladder is being installed and users carrying out the installation
- Consideration should always be given to the manual handling required in the installation of the ladder
  - Where possible ladder should be installed in accordance with the recommendations of BS4211:2005 + A1 2008 and BS5395: Part 3

#### **SAFE USE**

- Ladder must only be used by trained, competent people
- Ladder should not be used to transport equipment or goods
- Fixed ladders should only be used for occasional access

Bilco products are designed and fabricated to consistently high quality standards to ensure complete customer satisfaction.



ROOF ACCESS



SMOKE VENTS



FLOOR ACCESS DOORS



SAFETY PRODUCTS



LADDERS



**Bilco UK Ltd, Pavilion 7, Fornham Business Court, Hall Farm  
Fornham St. Martin, Bury St. Edmunds, Suffolk, IP31 1SL**

**+44 (0)1284 701 696 bilcouk@bilco.com www.bilcouk.co.uk**

Bilco UK is part of the Access 360 portfolio of Tyman UK and Ireland