

# » BILCO BP45-S-F ALUMINIUM FIXED STEP OVER UNIT

## Ladder Specifications

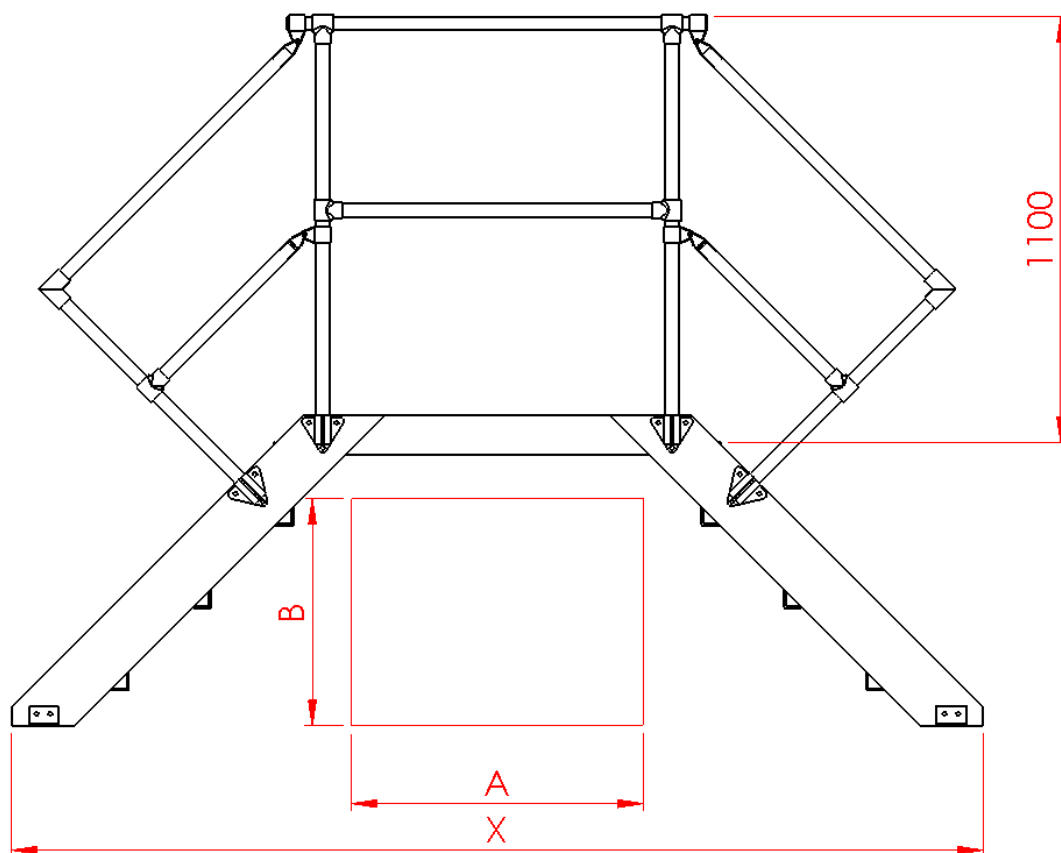
- Stiles: Steel flat plate
- Treads: Steel folded plate
- Fixings: Stainless steel A4 grade
- Finish: Galvanised
- Handrail height: 900mm (nom)
- Overall ladder width: 600mm
- Ladder angle: 45° (nom)

## Platform Specification

- Construction: Steel extrusion
- Platform: Handrails on both sides
- Platform deck: Open mesh GRP

## Handrail Specifications

- Height: 1100mm above surface of decking
- Top rail: 35mm diameter tube
- Mid rail: 35mm diameter tube
- Internal fixings: Dome head bolts
- Handrails: Both sides of platform
- Finish: Galvanised



<b>Project Title:</b>	<b>Additional Comments:</b>
<b>Dimension 'A':</b>	
<b>Dimension 'B':</b>	
<b>Dimension 'X' (Max):</b>	
<b>Customer Name:</b>	
<b>Customer Number:</b>	
<b>Date:</b>	<b>Signed:</b>
I confirm the above information is correct and that our order shall be manufactured to these sizes:	