

5 Bar Series Aluminium Tread Plate Covers

Aluminium floor access covers

Features

- Covers can be fitted quickly and unobtrusively into all types of flooring.
- Single seals are an option on 5 bar series.
- Antislip treadplate pattern.
- Quality control to BS EN ISO 9001:2000.

General notes on 5 Bar series floor access covers

Size – All covers are made to measure. This allows the manufacture of any size between the stated maximum and minimum dimensions. Sizes that may be thought 'non-standard' can therefore be obtained without delay and without cost surcharge. The versatile nature of the Howe Green system allows any configuration of ducts and branches to be created.

Weight – The weight of the access cover should be taken into account where ease of handling is an important consideration. In all cases reference should be made to the Manual Handling Operations Regulations 1992, which implement European Directive 90/269/EEC. If loads are excessive, consideration should be given to the use of hydraulic lifters, or our HSE 75 range.

Where large covers are necessary, over pits containing plant etc., the main covers can be fitted with small inset covers to allow easy access for routine maintenance. The main covers need then only be removed for major overhauls or plant replacement.



5 Bar Series Aluminium Tread Plate Covers

tread plate covers for cars and light delivery vehicles

Typical floor finishes

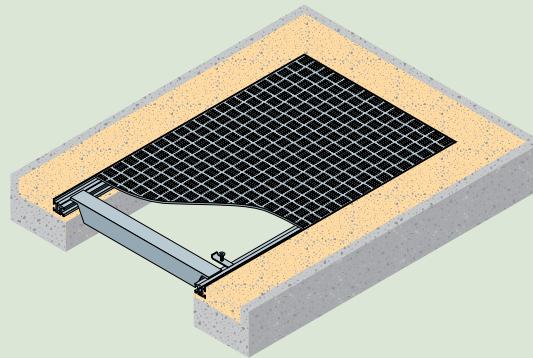
Ceramic tiles, terrazzo, concrete, resin and all hard floors.

Performance

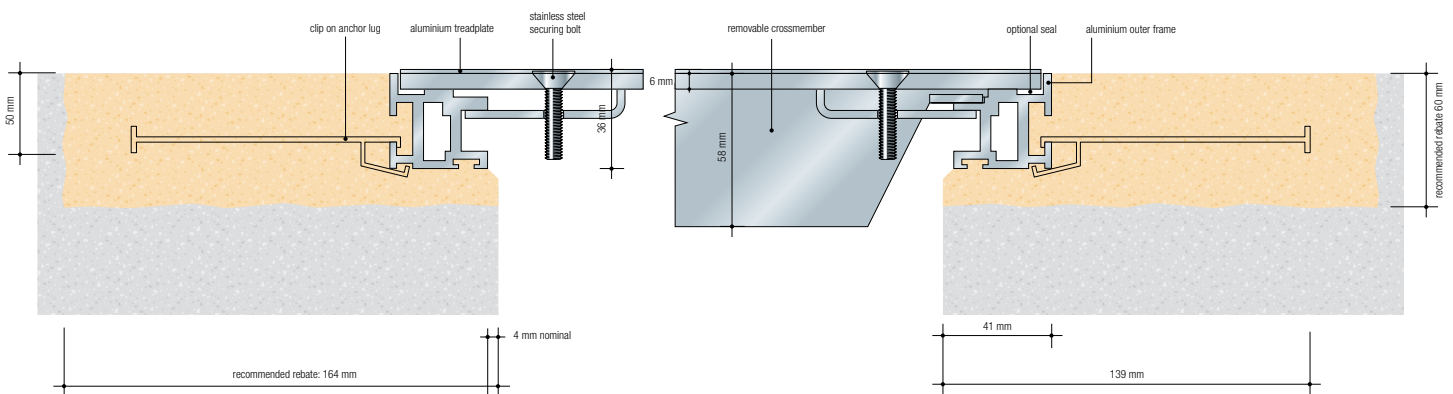
Pedestrian traffic (including wheeled trolleys, sack trucks etc.) only. Consult the Howe Green Technical Department for heavier loadings.

Options

Single Seal.



Cross section showing concrete sub-floor



Typical specification clause for 5 Bar series

Aluminium access covers shall be Howe Green Ltd 5 Bar series, with aluminium tread plate lid, reinforced as required, single seal*, quick release stainless steel fasteners. Sizes shall be as shown on contract drawings nos† Covers to be supplied complete with† sets of combined lifting/securing keys. All to be manufactured and supplied by Howe Green Ltd, Marsh Lane, Ware, Hertfordshire, SG12 9QQ, Great Britain, and installed in accordance with the manufacturer's installation details and sitework guide.

* Delete as appropriate. † Insert appropriate numbers & quantities

Size

Overall frame size = clear opening + 82 mm e.g. 600 mm clear opening = 682 mm overall frame. Subject to correct installation (see separate). See also general notes on other side.

Performance Note: Trucks with small wheels and solid tyres, such as pallet rollers, may limit sizes to less than the stated maximum span. Alternatively, greater spans may be used, but at reduced loadings.

Weight

A 5 Bar series access cover weighs 18 kg/m². See also general notes on other side.

Maximum / minimum sizes

