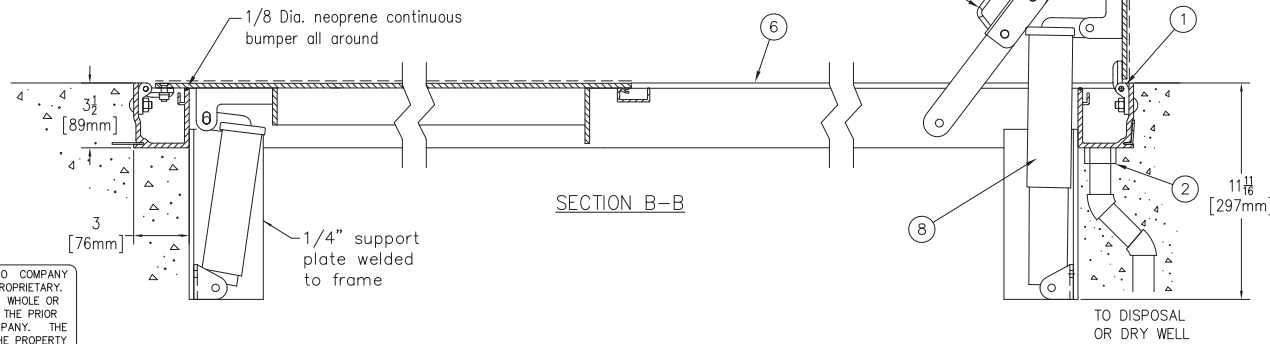


Frame areas that come in contact with concrete shall be coated with bituminous paint



THIS DRAWING IS THE PROPERTY OF THE BILCO COMPANY AND INCORPORATES INFORMATION WHICH IS PROPRIETARY. PUBLICATION AND/OR PUBLIC DISTRIBUTION IN WHOLE OR IN PART IS EXPRESSLY PROHIBITED WITHOUT THE PRIOR WRITTEN CONSENT OF THE BILCO COMPANY. THE INFORMATION CONTAINED HEREIN REMAINS THE PROPERTY OF THE BILCO COMPANY. ALL RIGHTS RESERVED.

### SPECIFICATIONS

1. Bilco heavy duty forged stainless steel hinges with stainless steel pins
2. 1-1/2" drain coupling
3. Standard slam lock
4. Bilco automatic hold open arm
5. 1/4" aluminum diamond pattern plate cover
6. Bilco 1/4" aluminum channel frame with recessed anchors
7. Heavy duty check chain
8. Stainless steel spring lifting mechanism

#### SHOP FINISH:

ALUMINUM: MILL FINISH

HARDWARE: TYPE 316 STAINLESS STEEL  
(unless otherwise specified)

REINFORCED FOR 300 Lbs. PER Sq. Ft.  
(1464 kg. PER Sq. METER) LIVE LOAD

#### INSTALLER NOTES:

- A. Use caution. Cover is spring loaded. Do not remove safety shipping bolt until unit is to be installed and in normal horizontal operating position.
- B. Be sure unit is set on slight pitch toward drain corner.
- C. Before anchoring in place open and close door. Check to see that the door in the closed position rests on the frame all around. If not, shim under the frame at the proper corner.
- D. Do not reduce 1 1/2" drain pipe to dry well or disposal system.
- E. Bend down anchors if required

Customer:

P.O. N°

Job:

Sales Rep:



**BILCO**  
ROOF ACCESS

Bilco UK Ltd, Pavilion 7  
Fornham Business Court  
Hall Farm, Fornham St. Martin  
Bury St. Edmunds, Suffolk, IP31 1SL

### DOUBLE LEAF ACCESS DOOR TYPE JD-AL - INTERIOR/EXTERIOR

QTY	TYPE	SIZE	
		WIDTH	LENGTH
<input type="checkbox"/>	JD-1AL	4'-0" [1220mm]	2'-6" [762mm]
<input type="checkbox"/>	JD-2AL	4'-0" [1220mm]	4'-0" [1220mm]
<input type="checkbox"/>	JD-3AL	4'-0" [1220mm]	6'-0" [1830mm]
<input type="checkbox"/>	JD-4AL	5'-0" [1525mm]	5'-0" [1525mm]