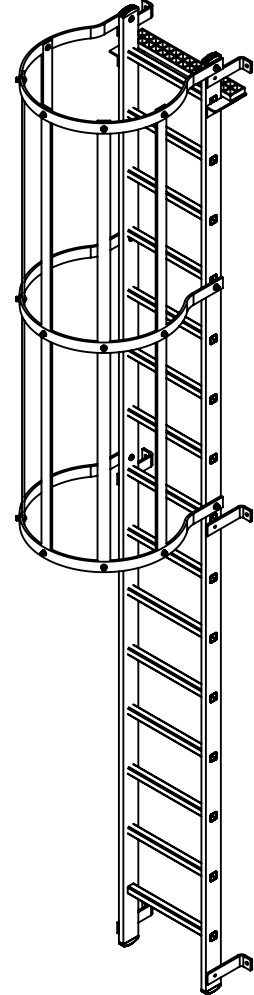
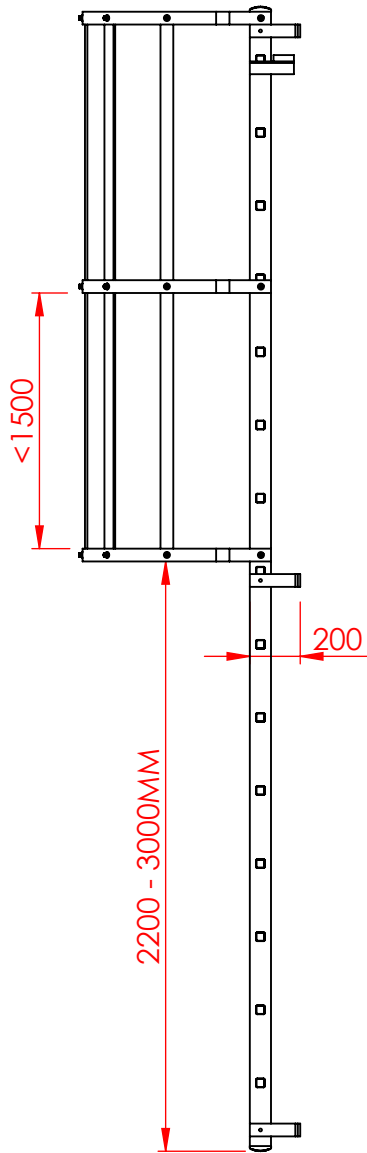
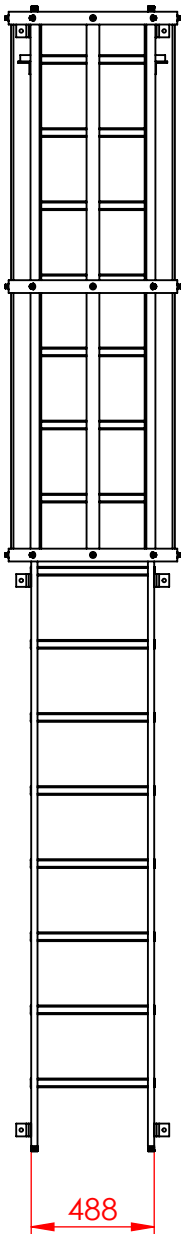
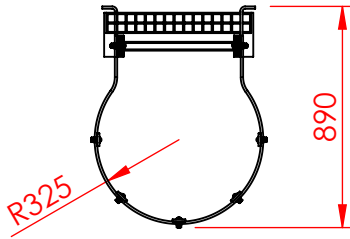


BILCO BL-A-WH: ALUMINIUM VERTICAL LADDER WITH SAFETY CAGE



BILCO
ROOF ACCESS

Bilco UK Ltd, Pavilion 7
Fornham Business Court
Hall Farm, Fornham St. Martin
Bury St. Edmunds, Suffolk, IP31 1SL

Ref.	Qty.	Description			Reference
Designed by A.J.BRACE	Date 21/06/2012	Scale 1:50	Customer		STANDARD ISSUE ALUMINIUM LADDER WITH CAGE
Checked by	Date	Title			
© THIS DRAWING IS THE PROPERTY OF BILCO UK LTD & MUST NOT BE REPRODUCED WITHOUT PRIOR PERMISSION			Drawing No. PDFAWH0612	Revision A	Sheet 1/1